

4

3

2

1

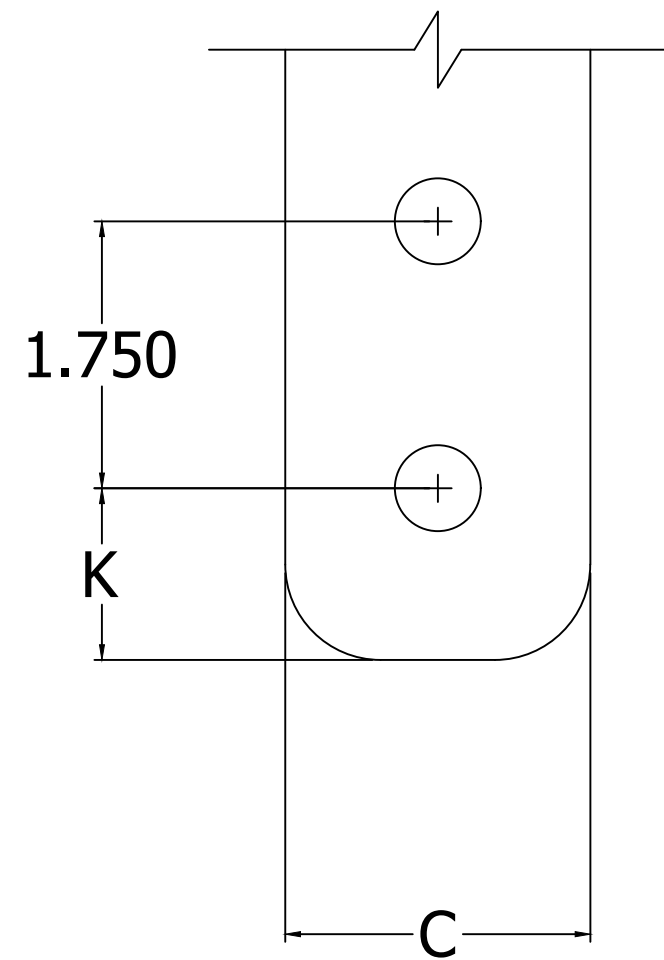


FIG. 1

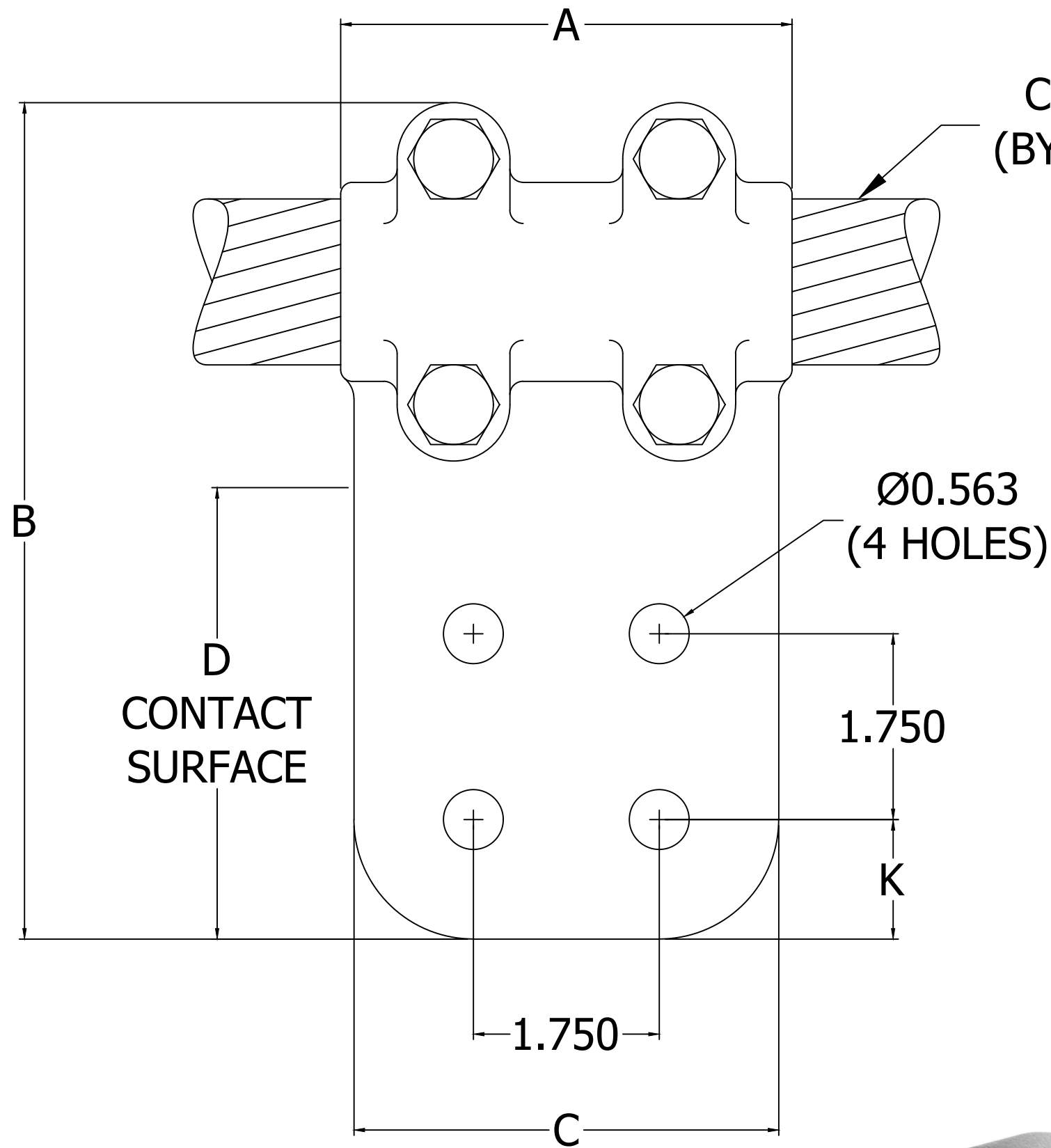
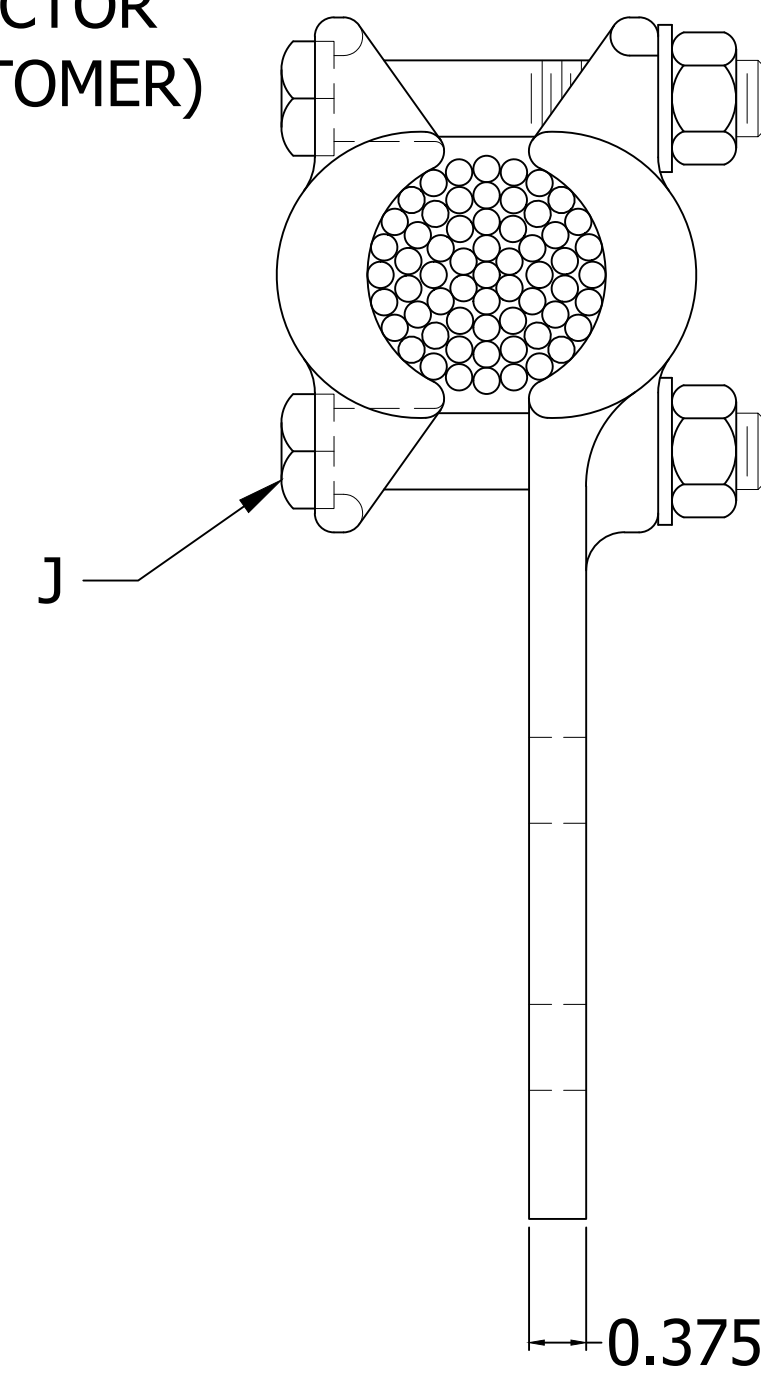


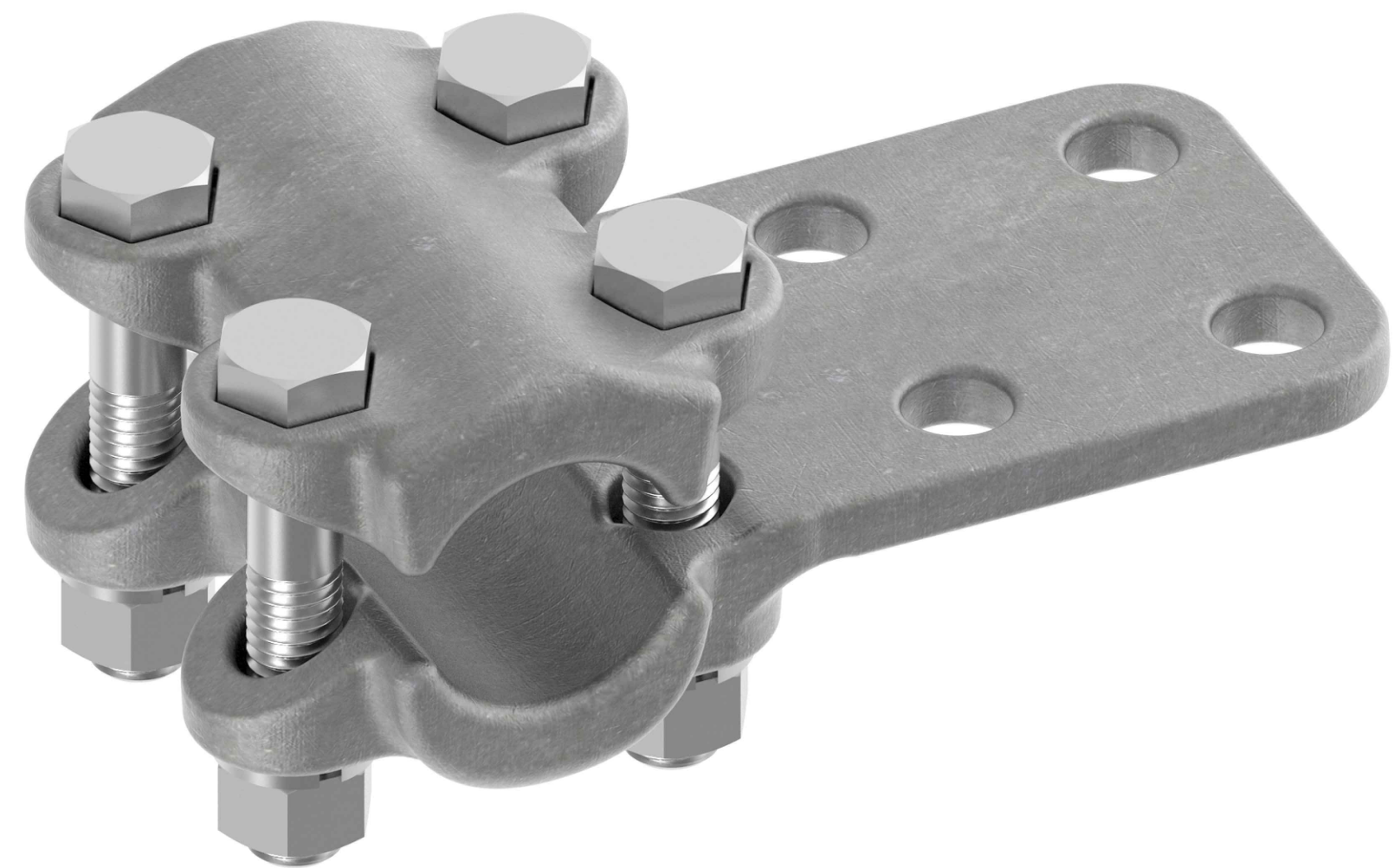
FIG. 2

CONDUCTOR
(BY CUSTOMER)



NOTES:

1. MATERIAL: CASTINGS - 356-T6 ALUMINUM ALLOY
HARDWARE - ALUMINUM ALLOY
2. DIMENSION IN INCHES.
3. TO OBTAIN CABLE GROOVES COATED WITH A PETROLEUM
BASE SEALANT, ADD "XB" SUFFIX TO PART NUMBER.
EXAMPLE: (ATCF-1630-1-XB)
4. FLAT PADS ARE 0.375" THICK WITH CONTACT SURFACE
ON ONE SIDE.



79828	09/11/2019	HG	HG	PTB
EC #	DATE	CHG BY	CKD BY	APPD BY

DESC OF DWG:
UPDATE TO AUTOCAD
IMAGE ADDED AND MOVED TO NEW TEMPLATE
--
--
REASON (S) FOR CHANGE: --
DISPOSITION OF MAT'L: --

THIRD ANGLE
PROJECTION
CONFIDENTIAL: THIS DRAWING AND ITS
CONTENTS ARE CONFIDENTIAL AND THE
EXCLUSIVE PROPERTY OF HUBBELL
POWER SYSTEMS. NO PUBLICATION,
DISTRIBUTION, OR COPIES MAY BE
MADE WITHOUT THE WRITTEN CONSENT
OF HUBBELL POWER SYSTEMS.
HUBBELL POWER SYSTEMS
UNPUBLISHED ALL RIGHTS RESERVED
UNDER THE COPYRIGHT LAWS.

TITLE ALUMINUM TEE CONNECTOR CABLE TO FLAT			
CATALOG NUMBER: ATCF			
SIZE C	DWG NO. C-7148	PART / ASSY NO. SEE TABLE	REV 10
SCALE: NS	DRN BY: JJS	DATE: 02/03/67	SHEET 1 OF 2

CATALOG NUMBER	CONDUCTOR RANGE			FIG.	A	B	C	D	K	J
	AAC	ACSR	DIA.							
ATCF-630-1	#4 SOL. - 250 MCM	#4 - 4/0 STR.	0.232 - 0.575	2	3.000	5.813	3.000	3.250	0.625	0.500
ATCF-720-1	250 - 400 MCM	4/0 - 336.4 MCM	0.563 - 0.744	1	3.000	5.875	2.000	3.250	0.625	0.500
ATCF-920-1	350 - 600 MCM	336.4 - 477 MCM	0.681 - 0.893	1	3.250	6.188	2.000	3.250	0.625	0.500
ATCF-930-1				2	3.250	6.188	3.000	3.250	0.625	0.500
ATCF-940-1				2	3.250	7.063	4.000	4.250	1.125	0.500
ATCF-1120-1	600 - 900 MCM	556.5 - 795 MCM	0.870 - 1.108	1	3.500	6.438	2.000	3.250	0.625	0.500
ATCF-1130-1				2	3.500	6.438	3.000	3.250	0.625	0.500
ATCF-1140-1				2	3.500	7.438	4.000	4.250	1.125	0.500
ATCFM-1320-1	600 - 1250 MCM	477 - 1113 MCM	0.870 - 1.293	1	3.750	6.688	2.000	3.250	0.625	0.500
ATCF-1320-1	900 - 1250 MCM	715.5 - 1113 MCM	1.081-1.293	1	3.750	6.688	2.000	3.250	0.625	0.500
ATCF-1330-1				2	3.750	6.719	3.000	3.250	0.625	0.500
ATCF-1340-1				2	3.750	6.906	4.000	4.250	1.125	0.500
ATCF-1520-1	1250 - 1600 MCM	1113 - 1272 MCM	1.289 - 1.459	1	4.250	6.875	2.000	3.250	0.625	0.500
ATCF-1530-1				2	4.250	6.875	3.000	3.250	0.625	0.500
ATCF-1540-1				2	4.250	7.875	4.000	4.250	1.125	0.500
ATCF-1620-1	1500 - 2000 MCM	1272 - 1590 MCM	1.382 - 1.632	1	4.500	7.438	2.000	3.250	0.625	0.625
ATCF-1630-1				2	4.500	7.438	3.000	3.250	0.625	0.625
ATCF-1640-1				2	4.500	8.438	4.000	4.250	1.125	0.625
ATCF-1640-1-AEP				2	4.250	7.875	4.000	4.250	1.125	0.500
ATCF-1820-1	2000 - 2500 MCM	--	1.632 - 1.824	1	4.750	7.563	2.000	3.250	0.625	0.625
ATCF-1830-1				2	4.750	7.563	3.000	3.250	0.625	0.625
ATCF-1840-1				2	4.750	8.438	4.000	4.250	1.125	0.625
ATCF-2130-1	2500 - 3000 MCM	--	1.824 - 2.000	2	5.000	8.000	3.000	3.250	0.625	0.625
ATCF-2230-1	--	--	2.000 - 2.200	2	5.000	8.250	3.000	3.250	0.625	0.625

CATALOG NUMBER: ATCF			
SIZE	DWG NO.	PART / ASSY NO.	REV
C	C-7148	SEE TABLE	10
SCALE: NS	DRN BY: JJS	DATE: 02/03/67	SHEET 2 OF 2